

AMON

15" LCD MONITOR

User' s Manual



General Information

All material in this manual relating to hardware, software, firmware, structure of circuits and specialized technology regarding this product are considered the intellectual property of Manufacturer and are protected by copyright.

No part of this document may be reproduced, stored in a retrieval system, or transmitted, in any form or by any means, electronic, mechanical, photocopying, recording or otherwise, without the prior written permission of Manufacturer.

All copyrights, registered trademarks, brand names and terminology used in this manual are the properties and registered brands of their respective owners.

Important Information

FCC/CE/CUL regulations state that any unauthorized changes or modifications not expressly approved by the party responsible for compliance may void the user's authority to operate the product.

Do not attempt to disassemble or modify this product, all servicing should be carried out by qualified personnel and should conform to all local codes.

Do not leave a static image displayed on the LCD for prolonged periods of time, such as, but not limited to, channel logos, side bar images, and letterbox black bars. This may result in permanent damage to the LCD panel which is not covered under warranty.

There are a certain number of defective pixels that are allowable according to the industrial standards of LCD technology. A request for higher standard LCD panel will be at additional cost .

WARNING!

- **Specifications are subject to change without notice.**
- **To prevent the risk of fire or electric shock, do not expose this product to rain or moisture.**
- **Do not block the unit's ventilation openings.**
- **If any abnormal power conditions or blackout occur during operation, immediately disconnect unit at the AC source. Once normal power is restored, reconnect the AC source.**

Safety Precautions

Please follow these safety instructions for best performance and long life of the product.

- ☞ Avoid exposing the product to direct sunlight.
- ☞ Do not use the product in areas of high moisture.
- ☞ Keep the product away from heat sources such as radiators, heaters, stoves and other heat-generating products.
- ☞ Do not place any objects on top of the product which might spill or fall into it.
- ☞ Do not cover or block the vents on the top, rear, bottom and side of product, as insufficient ventilation can cause overheating and/or shorten the life of the product.
- ☞ Do not attempt to disassemble or modify this product yourself, as doing so may expose you to dangerously high voltage levels. All servicing should be carried out by qualified personnel and should conform to all local codes.
- ☞ This product is equipped with the specific adapter (12V 3A); do not use any other type of adapter to operate the product only use the manufacturer's supplied adapter.
- ☞ Regularly check that power and data cables are undamaged and all connections are fastened securely for reliable operation.
- ☞ Always unplug the power cord from the AC outlet before cleaning.. Do not use solvents or abrasives and do not spray or pour any liquid directly onto the product's screen or case. The screen should be cleaned with a soft, slightly damp cloth in a circular motion, from its center to outer edges and the case should be cleaned with a soft, dry cloth.
- ☞ Only operate the touch panel by a TOUCH PEN (tip R0.8 or less) or finger only. Do not use hard or sharp objects such as pins, pens, pencils or the like to operate the touch panel. The activation pressure for the touch screen is 5.5 grams therefore only a light touch is required, never hit the screen or apply excessive pressure or permanent damage will occur. If there difficulty activating the on screen buttons, the touch screen may need calibrating.

Contents

<i>General Information</i>	<i>1</i>
<i>Important Information</i>	<i>1</i>
<i>Safety Precautions</i>	<i>2</i>
<i>Contents</i>	<i>3</i>
1. Introduction	4
1.1 Features.....	4
1.2 Unpacking.....	4
2. Configuration	6
2.1 Front View	6
2.2 Rear View (1) – With Base and I/O cables	6
2.3 Rear View (2) – Base removed, showing locations of plugs and sockets ...	6
3. Operation	7
3.1 Standard Power Connection.....	7
3.2 Optional Mounting Power Connection	7
3.3 LCD viewing angle adjustment	8
3.4 Power On	8
3.5 On Screen Display Setting.....	9
4. Installation of Optional Devices	10
4.1 VFD customer display	10
4.2 4-1 Modular Device.....	11
4.3 VESA Mount	14
5. Touch Setting for AMON	15
5.1 AMON-15E	15
5.2 AMON-15F:	17
6. Trouble Shooting	18
6.1 No power	18
6.2 Power on but no screen image	18
6.3 No touch.....	18
6.4 No function of i-button/ MSR/ 40 Key Keypad	18
6.5 No function of external keyboard	18
6.6 No function of other devices: VFD, IC card & Fingerprint.....	18
7. Specification	19

1. Introduction

1.1 Features

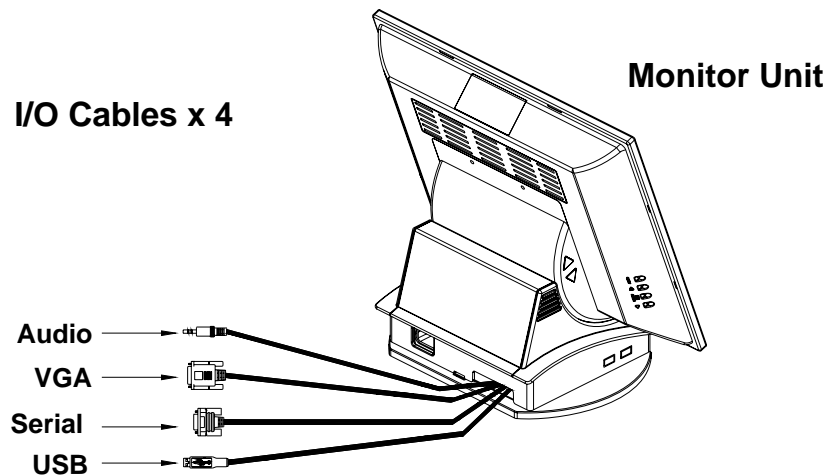
The AMON, an advanced touch monitor, is designed around the All-In-One concept. Designed to be a versatile, compact and reliable touch monitor, the AMON can be optionally integrated with a Customer Display (VFD), Magnetic Card Reader (MSR), Smart Card Reader (IC Card), iButton (Dallars Key), Finger Print Sensor, RFID, Keypads and other I/O Devices.

The AMON's distinctive and clever design is suited to a wide range of applications such as:

- POS Monitor
- Kitchen Display
- Dual Touch Display
- Stylish Touch Monitor

1.2 Unpacking

Your AMON includes these items. If any items are damaged or missing, please contact your dealer for assistance.



User's Manual

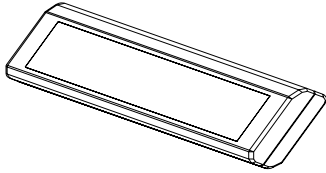


elo Touch Driver

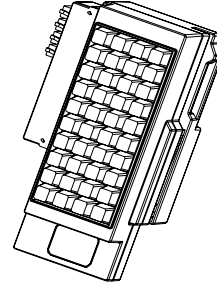


Cable

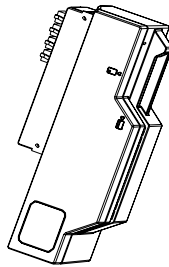
Optional devices such as VESA standard mounting bracket or arm, Customer Display, Magnetic Card Reader, Smart Card Reader, iButton, Finger Print Sensor, RFID, Keypads and other I/O Devices are available..



VFD



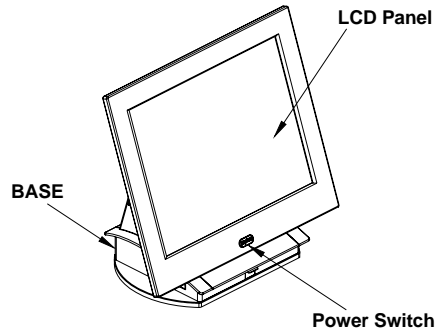
Card Reader (40 Keypad)



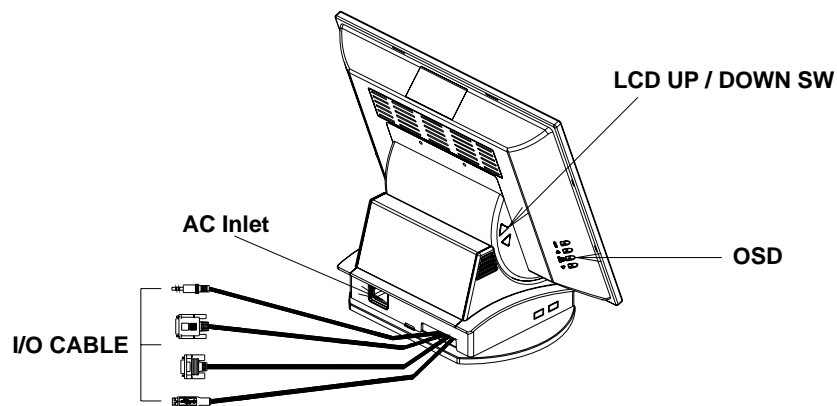
**SC+MSR
Finger Print**

2. Configuration

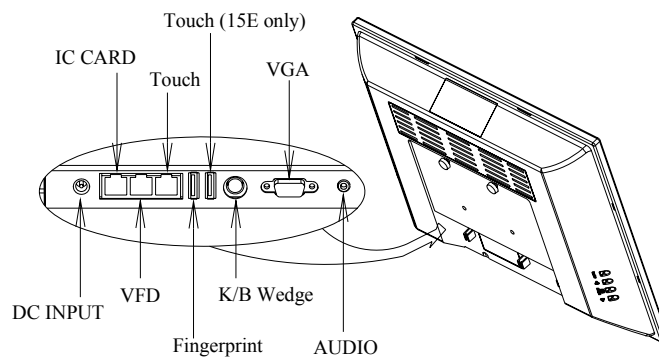
2.1 Front View



2.2 Rear View (1) – With Base and I/O cables



2.3 Rear View (2) – Base removed, showing locations of plugs and sockets

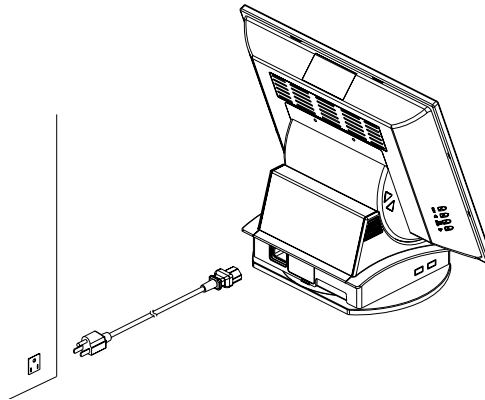


3. Operation

3.1 Standard Power Connection

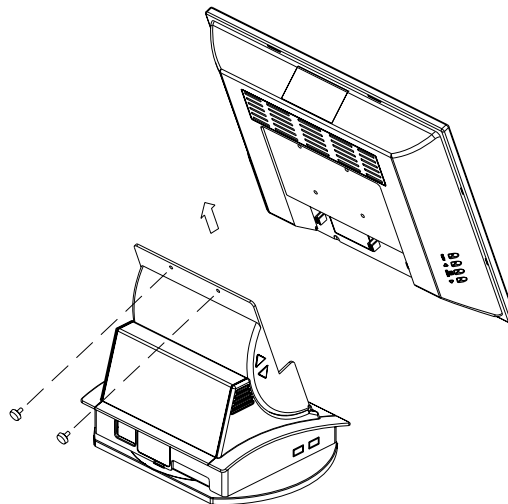
- (1) Connect all AMON I/O Cables to PC.
- (2) Check the AC voltage is within the AMON power specification.
- (3) Connect power connector to AMON.
- (4) Connect the power cord to an AC Wall socket.
- (5) The unit is now ready to operate. The Sleep Button will now be illuminated.

NOTE: *Ensure that the computer and monitor's power are both turned off when connecting cables.*

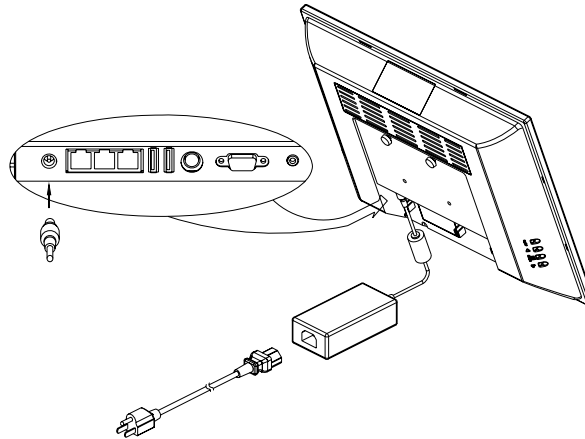


3.2 Optional Mounting Power Connection

- (1) Unscrew the two screws behind the LCD panel.
- (2) Separate the LCD panel from the base unit by lifting the LCD panel.



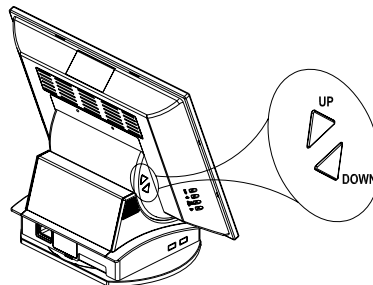
- (3) Connect all AMON I/O Cables to PC.
- (4) Connect the power cable to AC adapter.
- (5) Check the AC voltage is within the AMON power specification.
- (6) Connect the power cord to an AC Wall socket.
- (7) The unit is now ready to operate. The Sleep button will now be illuminated.



NOTE: Use only the AC adaptor supplied with the AMON

3.3 LCD viewing angle adjustment

In order to accommodate various operator preferences and lighting conditions, the AMON is equipped with an operator tilt mechanism. Two buttons are located behind the middle left-hand edge of the operator LCD. The uppermost button tilts the screen UP while the lower tilts the screen DOWN. The tilt movement is limited to a minimum of 30 degrees and a maximum of 70 degrees. To adjust the angle press and hold the UP or DOWN button as required until the optimum viewing angle is found or the LCD reaches its maximum or minimum limit.



3.4 Power On

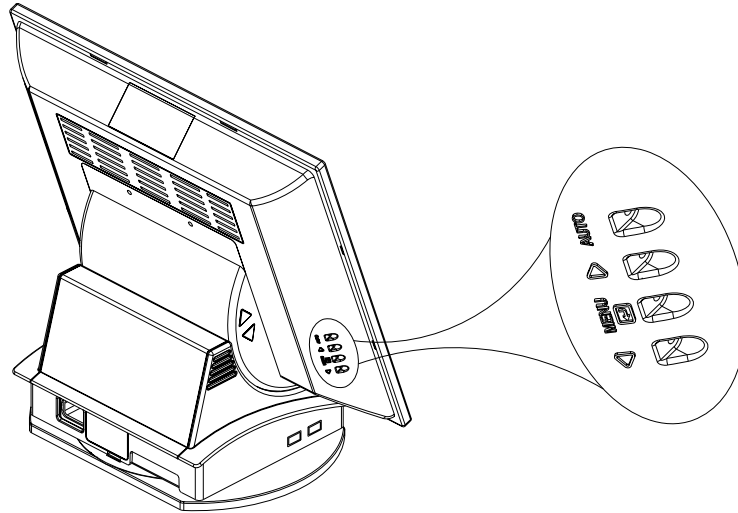
The Power Switch is located at the mid-bottom of front panel, where the logo is. To turn on the monitor, press the button and the LED lamp will illuminate. The status of the monitor can be distinguished from the color of LED lamp:

Purple ----> **No VGA signal**
Red ----> **Sleep mode**
Blue ----> **Operating mode**

When the monitor is in Operating mode (blue light), by pressing and holding the power button for 3- 4 seconds, the monitor will switch to Sleep mode (red light). By pressing and holding the power button again (3-4 seconds), the monitor will switch back to Operating mode (blue light), or Idle mode (purple light) if no VGA signal is present.

3.5 On Screen Display Setting

There are four secured buttons at the lower part of back panel, the buttons allow users to adjust the parameters of LCD. Use a pen or similar to depress the buttons. **DO NOT USE A PENCIL**



NOTE: OSD functions will only work when the AMON is in Operating Mode.

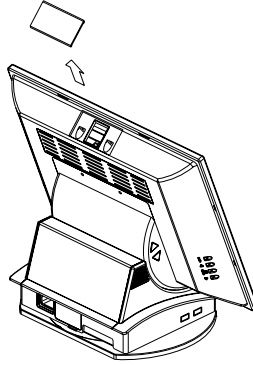
OSD secured button functions:

- ⊗ " **AUTO** " LCD will automatically adjust to optimal settings
- ⊗ " **△** " Up movement and increase adjustment for the selected parameter
- ⊗ " **MENU** " Enter and exit OSD function menu
- ⊗ " **▽** " Down movement and decrease the selected parameter

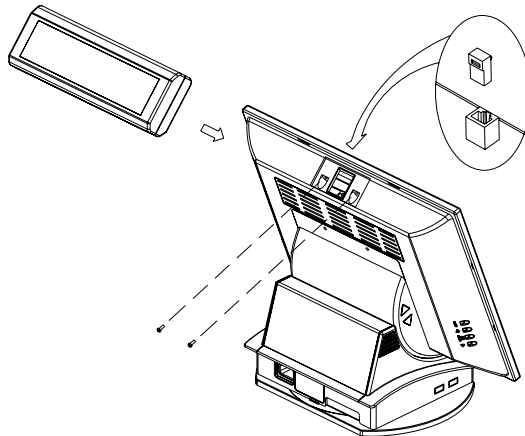
4. Installation of Optional Devices

4.1 VFD customer display

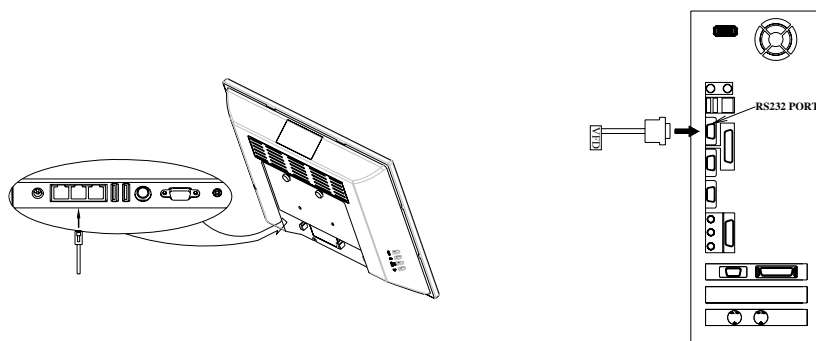
- (1) Remove the VFD blank from the top of LCD panel to reveal the VFD RJ45 socket.



- (2) There is an RJ45 plug on the back of the VFD, position the VFD over the LCD so that the VFD RJ45 plug mates with the RJ45 socket on the LCD. After the VFD has been placed properly, use two M3*10 screws to secure it to the AMON.



- (3) Connect VFD cable (RS-232) into main unit's VFD I/O port. Ensure that you have inserted the cable into the correct I/O port. Then connect the other end of VFD cable to the PC's RS-232 port.

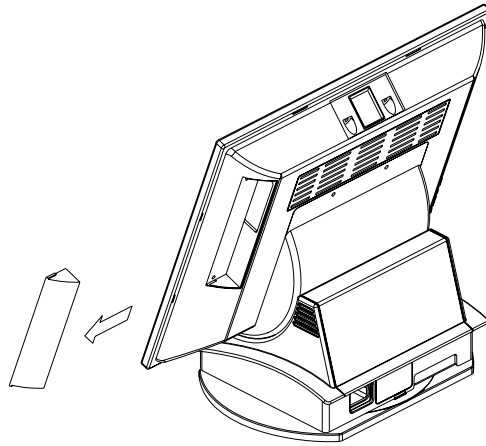


4.2 4-1 Modular Device

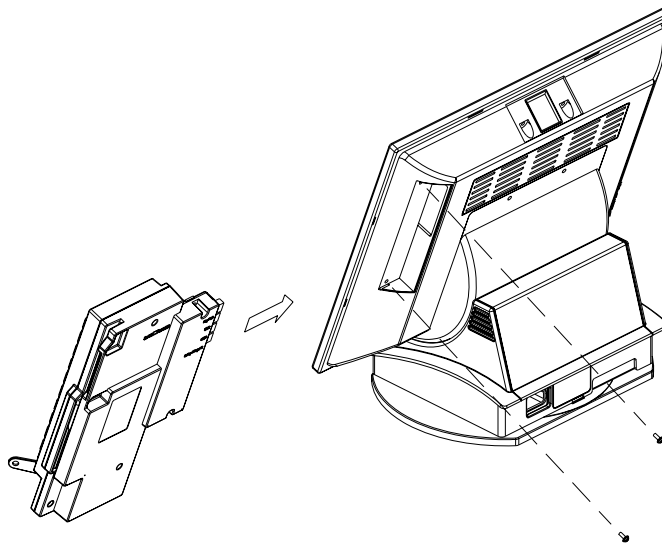
The 4-1 Modular Device can be composed of different devices such as MSR, Dallas Key, Fingerprint, 40 Keypad, IC card and others into one single unit according to user's request at the time of purchase.

Assembly Steps:

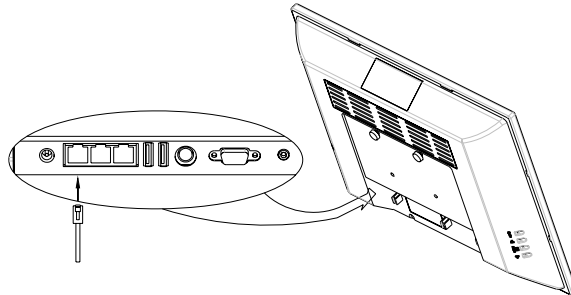
- (1) Remove the 4-1 Modular Device blank from the side (user's right hand side) of LCD panel to reveal four RJ-45 sockets



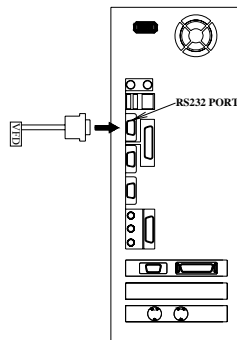
- (2) The 4-1 Modular Device has four RJ-45 plugs, these plugs mate with the RJ45 sockets on the main unit. Position the Modular Device so that the RJ45 plugs align with the sockets and gently push the Modular Device into the main unit. Use two M3*12 screws to secure the 4-1 Modular Device to the AMON.



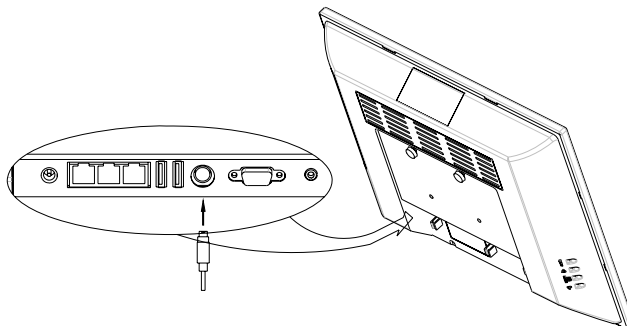
- (3) If the 4-1 Modular Device includes the IC card reader and you intend to operate the monitor without the base unit, then plug the RS-232 cable for IC card reader into the correct I/O port behind the monitor unit. Then connect the other end of IC card RS-232 cable to the PC's RS-232 port.



NOTE: Make sure that you have plugged the cable into the correct I/O port.



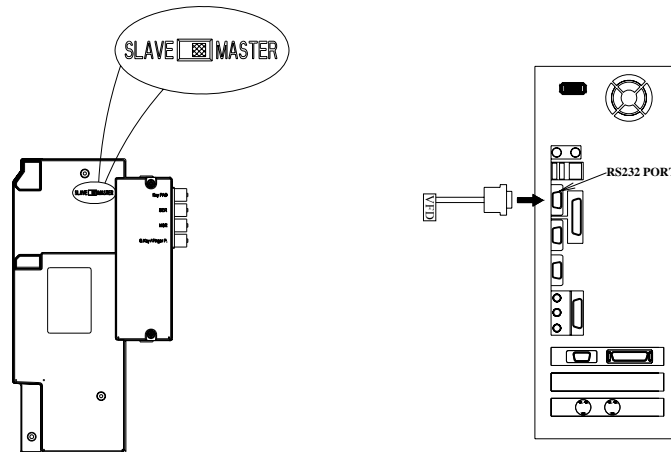
- (4) If the 4-1 Modular Device includes the i-Button, MSR and/or 40 Key Keypad, and you also intend to operate the monitor without the base unit, then plug the PS2 K/B cable into the I/O port behind the monitor unit.



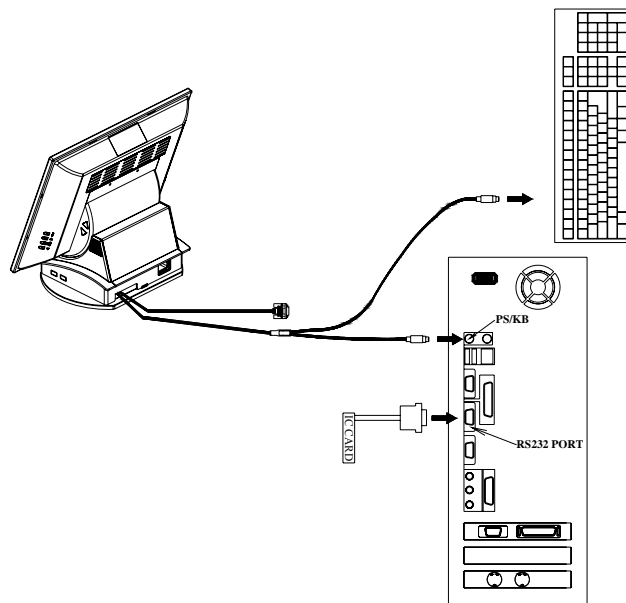
NOTE: Make sure that you have plugged the cable into the correct I/O port.

- (5) If any of i-Button, MSR, 40 Key Keypad are incorporated in the 4-1 Modular Device, then a keyboard wedge Y cable will be supplied. The Keyboard Wedge Y cable provides the option to connect an external PC standard keyboard.

If you do NOT wish to connect an external keyboard, set your 40 Key Keypad as MASTER. Then connect the other end of PS2 K/B cable directly to the PC's PS2 Keyboard port and disregard the Keyboard Wedge Y Cable.



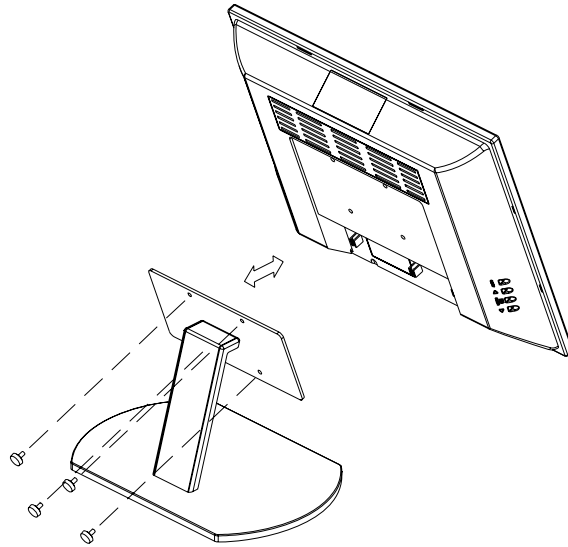
If you wish to connect an external PC standard keyboard, set the 40 Key Keypad as SLAVE and use the Keyboard Wedge Y cable. Connect one end of Keyboard Wedge Y cable to the PC's PS2 Keyboard port and the other end of Keyboard Wedge Y cable to the external PC standard keyboard.



NOTE: Please make sure that the 40 Key Keypad is set to SLAVE when you wish to connect the AMON with an external keyboard.

4.3 VESA Mount

- (1) Unscrew the two screws behind the AMON unit.
- (2) Take the base unit out of monitor unit and leave only front panel unit.
- (3) Use four M4 screws to lock and fix the AMON front panel onto any VESA standard mounting bracket or arm.



5. Touch Setting for AMON

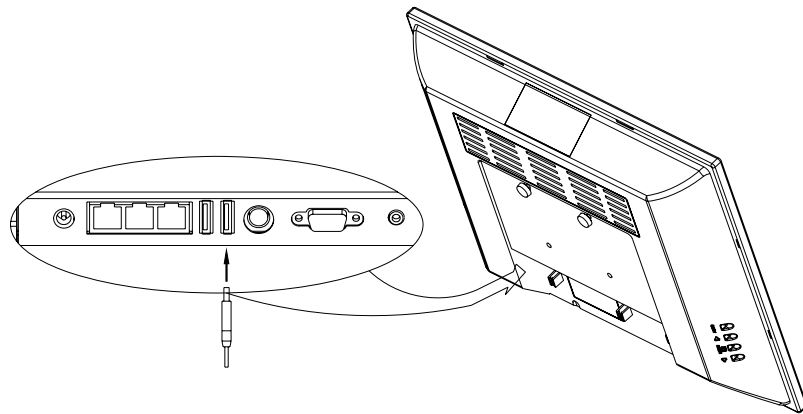
AMON-15 has different model numbers dependant on which touch panel has been purchased

5.1 AMON-15E

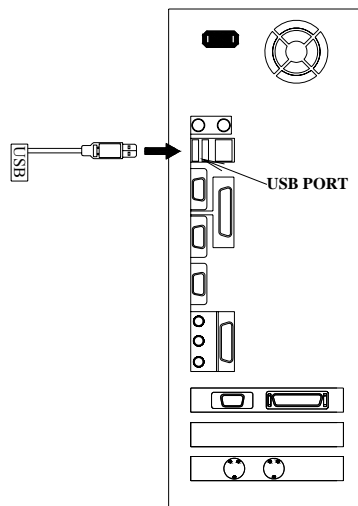
This model has an ELO brand touch panel, it has two types of interface, RS-232 or USB. AMON will recognize the interface that has been used automatically, however only one interface can be accepted, and USB interface takes precedence. After you have connected all relative cables between the AMON and PC, install the touch driver from included driver CD. The touch function will then be ready for use.

USB interface:

- (1) Connect the USB cable to AMON's USB port at the back of the unit.

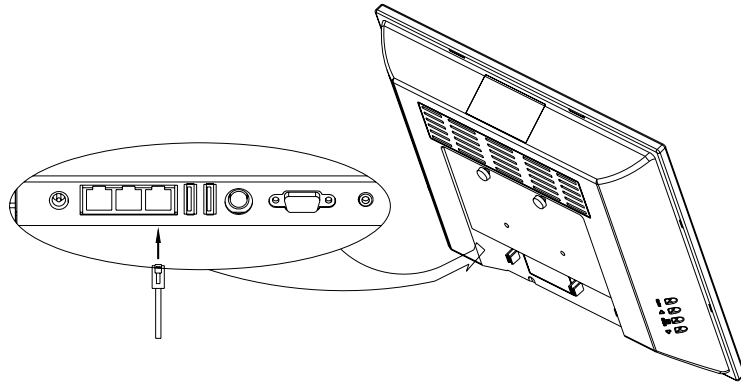


- (2) Connect the other end of USB cable to the USB port of the PC.

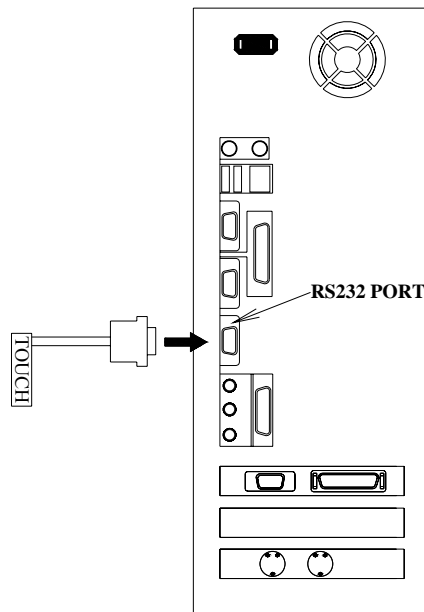


RS-232 interface:

- (1) Connect the RS-232 touch cable's connector to the I/O port (touch RS-232 connector socket) on the back of the unit.



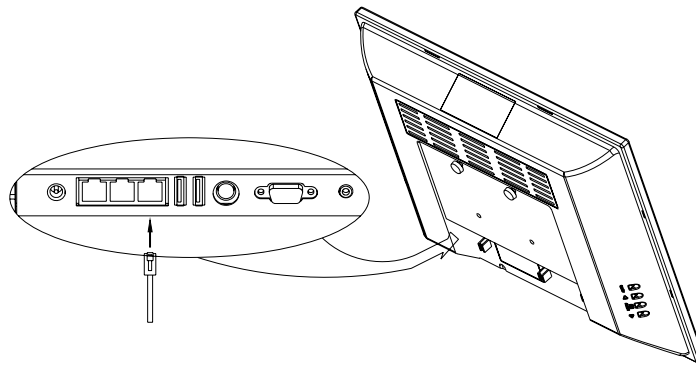
- (2) Connect the other end of the RS-232 touch cable to the RS-232 port of the PC.



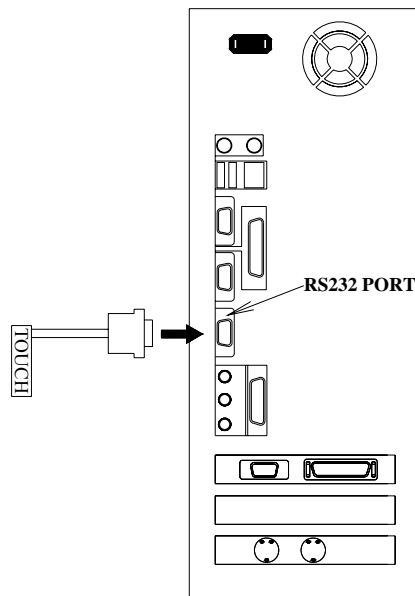
5.2 AMON-15F:

This model has a Fujitsu brand touch panel, it has one interface type only, RS-232. After you have connected all the relative cables to the AMON and PC, install the touch driver from the included driver CD. The touch function will then be ready for use.

- (3) Connect the RS-232 touch cable's connector to the I/O port (touch RS-232 connector socket) on the back of the unit.



- (1) Connect the other end of the RS-232 touch cable to the RS-232 port of the PC.



NOTE: AMON-15F does not support USB interface.

6. Trouble Shooting

Before contacting an authorized service center, please check that the items below are properly connected or set.

6.1 No power

- ✓ Make sure the power cord is properly connected to the AMON's power Inlet and AC power outlet.

6.2 Power on but no screen image

- ✓ Make sure the power cable is properly connected at both ends.
- ✓ Make sure the VGA cable is correctly connected & secured to the VGA port of both the PC and the AMONt.
- ✓ Make sure the power button is ON, and is not in sleep mode.

6.3 No touch

- ✓ Make sure the touch cable is correctly connected & secured to both the AMON the PC.
- ✓ Make sure the RS-232 port of the PC is functioning normally.
- ✓ Make sure the touch driver is properly installed.

6.4 No function of i-button/ MSR/ 40 Key Keypad

- ✓ Make sure the K/B wedge cable is correctly connected to both the AMON and the PC.
- ✓ If no external keyboard is in use, make sure 40 key keypad is set as MASTER.

6.5 No function of external keyboard

- ✓ Make sure 40 key keypad is set as SLAVE.

6.6 No function of other devices: VFD, IC card & Fingerprint

- ✓ Make sure the specified device cable is correctly connected to both the AMON and the PC.
- ✓ Make sure the RS-232 port or USB port of the PC is functioning normally.
- ✓ Make sure the specified driver, if needed, is properly installed.

7. Specification

LCD Panel	15" TFT
Brightness	250 cd/m ² (350 cd/m ² is also available)
Resolution	1024 x 768 / 800 x 600 / 640 x 480
Display Colors	16.2 million
Viewing Angle	Horizontal (Left/Right): Total 130° Vertical (Top/Down): Total 120°
Contrast Ratio	500:1
Video Input	Format: Analog RGB; Sync on green Connector: Mini D-Sub 15-Pin VGA type
On-Screen Display & Controls	Multi-Language Secure Control Buttons: “+”, “Menu”, “-“ & “Auto”
Touch Screen (Selective)	ELO Touch - Resistive 5 Wires (Serial/USB) FUJI Touch – Resistive 7 Wires (Serial only)
Speaker	1.5W 8Ω X2 (R、L)
Power Consumption	36W Max
Power Supply (Internal)	Input: AC 100~240V; 47~63HZ; 1A Max Output: DC 12V ± 5%
Temperature	Operating: 0°~40°C Storage: -20°C~60°C
Humidity	Operating: 20%-80% RH Storage: 5%-95% RH
Dimension	W380 x H346 x H205
Weight	6.2 kg
Mounting Options	75mm VESA mount
Safety Compliance	CE/FCC, UL/CUL, TUV, CCC, IP43

Optional Devices

Customer Display	VFD / LCD (Serial)
Magnetic Stripe Card Reader	3 Tracks; ISO; JIS (K/B wedge)
Smart Card Reader	PC/SC Card (Serial)
Fingerprint Reader	Optical Type, 512 dpi (USB)
I button	64 bits ID only (K/B wedge)
Keypad	40 keypad (K/B wedge)

NOTE: Specifications are subject to change without notice.